



复旦微电子

# ***FM24VS64/FM24VS64R 10bit Resolution VCM Driver with 64Kbits EEPROM***

**Brief**

---

**Aug. 2018**

Note:  
For detail of product please contact local sales office.

## General Description

The FM24VS64/FM24VS64R is a single 10-bit DAC with 120mA output current sink capability and has a 64Kbits EEPROM memory. DAC and EEPROM are controlled via two-wire serial interface by clock rate up to 1MHz. The device features special dynamic control mode which can minimize mechanical settling time.

The FM24VS64/FM24VS64R is designed for auto focus applications such as mobile phone cameras, digital cameras and web cameras.

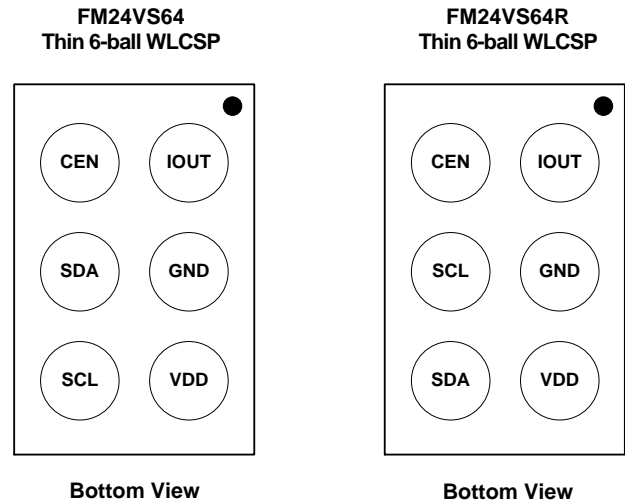
## Features

- VCM driver for auto focus
- 10-bit DAC with 120mA output current sink capability
- Special dynamic control mode
- Embedded EEPROM
  - 64Kbits Data memory
  - Lockable 32-Byte Security Sector
  - 128-Bit Unique ID for each device
  - 32-Byte Page Write Modes (Partial Page Writes are Allowed)
  - Software write protection
  - Self-timed Write Cycle (5ms max)
  - Endurance: 1,000,000 Write Cycles
  - Data Retention: 40 Years
- Supply voltage ( $V_{DD}$ ): 2.3V to 3.6V
- IO voltage ( $V_{IN}$ ): 1.8V to  $V_{DD}$
- Fast mode (400KHz) and Fast mode plus (1MHz) two-wire serial interface
- Schmitt Trigger, Filtered Inputs for Noise Suppression
- Configurable device address for DAC and EEPROM
- Power on reset (POR)
- Thermal shutdown (TSD)
- Shut down and power down mode standby current  $<1\mu A$
- Package: Thin 6-ball WLCSP

## Applications

- Mobile phone camera
- Digital camera
- Web camera
- Lens auto camera

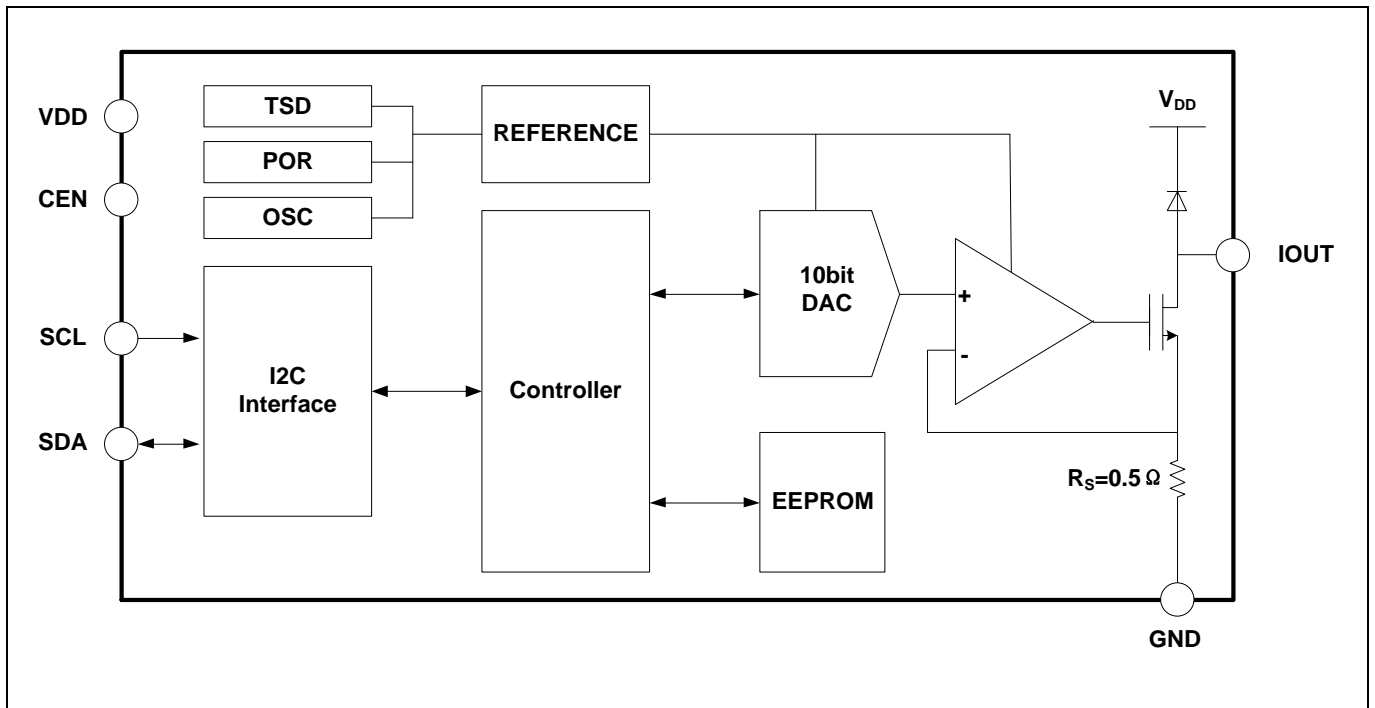
## Packaging Type



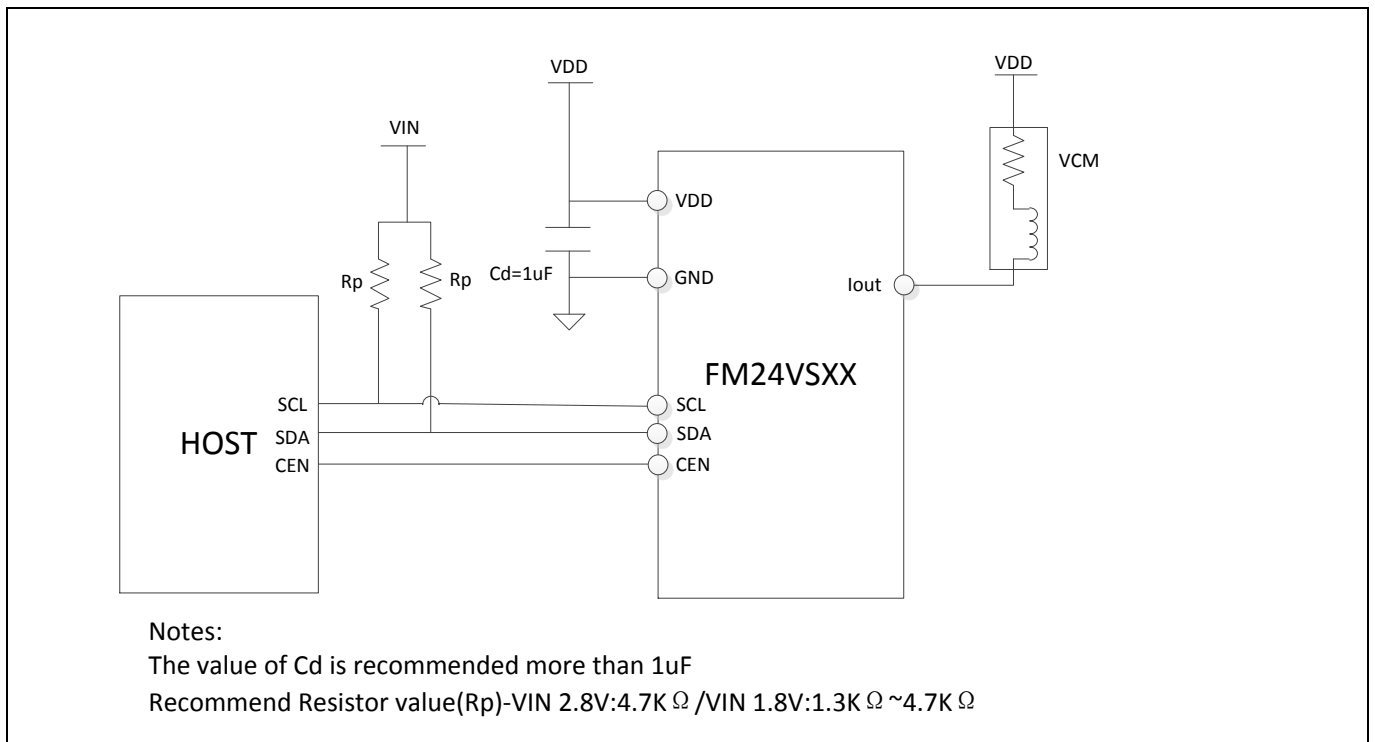
## Pin Configuration

Pin Name	I/O	Description
IOUT	O	Output current sink
GND	P	Ground
VDD	P	Power
SCL	I	serial clock
SDA	IO	serial data
CEN	I	Chip enable (active high)

## Block Diagram



## Typical Application



## Sales and Service

### Shanghai Fudan Microelectronics Group Co., Ltd.

Address: Bldg No. 4, 127 Guotai Rd,  
Shanghai City China.

Postcode: 200433

Tel: (86-021) 6565 5050

Fax: (86-021) 6565 9115

### Shanghai Fudan Microelectronics (HK) Co., Ltd.

Address: Unit 506, 5/F., East Ocean Centre, 98 Granville Road, Tsimshatsui  
East, Kowloon, Hong Kong

Tel: (852) 2116 3288 2116 3338

Fax: (852) 2116 0882

### Beijing Office

Address: Room 423, Bldg B, Gehua Building,  
1 QingLong Hutong, Dongzhimen Alley north Street,  
Dongcheng District, Beijing City, China.

Postcode: 100007

Tel: (86-010) 8418 6608

Fax: (86-010) 8418 6211

### Shenzhen Office

Address: Room.1301, Century Bldg, No. 4002, Shengtingyuan Hotel, Huaqiang Rd  
(North),  
Shenzhen City, China.

Postcode: 518028

Tel: (86-0755) 8335 0911 8335 1011 8335 2011 8335 0611

Fax: (86-0755) 8335 9011

### Shanghai Fudan Microelectronics (HK) Ltd Taiwan Representative Office

Address: Unit 1225, 12F., No 252, Sec.1 Neihu Rd., Neihu Dist., Taipei City  
114, Taiwan

Tel: (886-2) 7721 1889 (886-2) 7721 1890

Fax: (886-2) 7722 3888

### Shanghai Fudan Microelectronics (HK) Ltd Singapore Branch Office

**Address:** 47 Kallang Pudding Road, #08-06

The Crescent @ Kallang, Singapore 349318

**Tel:** +65 64430860

**Fax:** +65 64431215

**Email:** kttan@fmsh.com

### Fudan Microelectronics (USA) Inc.

**Address:** 97 E Brokaw Road, Suite 320, San Jose, CA 95112

**Tel:** (+1)408-335-6936

Contact name: Xinyue Huang

**Email:** fmus@fmsh.com

**Web Site:** <http://www.fmsh.com/>