



复旦微电子

FM25320
32K-BIT SPI Serial EEPROM
With unique ID and Security Sector

Data Sheet

Oct. 2024



INFORMATION IN THIS DOCUMENT IS INTENDED AS A REFERENCE TO ASSIST OUR CUSTOMERS IN THE SELECTION OF SHANGHAI FUDAN MICROELECTRONICS GROUP CO., LTD PRODUCT BEST SUITED TO THE CUSTOMER'S APPLICATION AND SHANGHAI FUDAN MICROELECTRONICS GROUP CO., LTD DOES NOT GUARANTEE THE AUTHENTICITY AND INTEGRITY OF THE INFORMATION.

INFORMATION DO NOT CONVEY ANY LICENSE UNDER ANY INTELLECTUAL PROPERTY RIGHTS, OR ANY OTHER RIGHTS, BELONGING TO SHANGHAI FUDAN MICROELECTRONICS GROUP CO., LTD OR A THIRD PARTY.

WHEN USING THE INFORMATION CONTAINED IN THIS DOCUMENTS, PLEASE BE SURE TO EVALUATE ALL INFORMATION AS A TOTAL SYSTEM BEFORE MAKING A FINAL DECISION ON THE APPLICABILITY OF THE INFORMATION AND PRODUCTS. PURCHASERS ARE SOLELY RESPONSIBLE FOR THE CHOICE, SELECTION AND USE OF THE SHANGHAI FUDAN MICROELECTRONICS GROUP CO., LTD PRODUCTS AND SERVICES DESCRIBED HEREIN, AND SHANGHAI FUDAN MICROELECTRONICS GROUP CO., LTD ASSUMES NO LIABILITY WHATSOEVER RELATING TO THE CHOICE, SELECTION OR USE OF THE SHANGHAI FUDAN MICROELECTRONICS GROUP CO., LTD PRODUCTS AND SERVICES DESCRIBED HEREIN. UNLESS EXPRESSLY APPROVED IN WRITING BY AN AUTHORIZED SHANGHAI FUDAN MICROELECTRONICS GROUP CO., LTD REPRESENTATIVE, SHANGHAI FUDAN MICROELECTRONICS GROUP CO., LTD PRODUCTS ARE NOT RECOMMENDED, AUTHORIZED OR WARRANTED FOR USE IN MILITARY, AIR CRAFT, SPACE, LIFE SAVING, OR LIFE SUSTAINING APPLICATIONS, NOR IN PRODUCTS OR SYSTEMS WHERE FAILURE OR MALFUNCTION MAY RESULT IN PERSONAL INJURY, DEATH, OR SEVERE PROPERTY OR ENVIRONMENTAL DAMAGE.

FUTURE ROUTINE REVISIONS WILL OCCUR WHEN APPROPRIATE, WITHOUT NOTICE. CONTACT SHANGHAI FUDAN MICROELECTRONICS GROUP CO., LTD SALES OFFICE TO OBTAIN THE LATEST SPECIFICATIONS AND BEFORE PLACING YOUR PRODUCT ORDER. PLEASE ALSO PAY ATTENTION TO INFORMATION PUBLISHED BY SHANGHAI FUDAN MICROELECTRONICS GROUP CO., LTD BY VARIOUS MEANS, INCLUDING SHANGHAI FUDAN MICROELECTRONICS GROUP CO., LTD HOME PAGE ([HTTP://WWW.FMSH.COM](http://www.fms.com)).

PLEASE CONTACT SHANGHAI FUDAN MICROELECTRONICS GROUP CO., LTD LOCAL SALES OFFICE FOR THE SPECIFICATION REGARDING THE INFORMATION IN THIS DOCUMENT OR SHANGHAI FUDAN MICROELECTRONICS GROUP CO., LTD PRODUCTS.

Trademarks

Shanghai Fudan Microelectronics Group Co., Ltd name and logo, the “复旦” logo are trademarks or registered trademarks of Shanghai Fudan Microelectronics Group Co., Ltd or its subsidiaries in China.

Shanghai Fudan Microelectronics Group Co., Ltd, Printed in the China, All Rights Reserved.

1. Description

The FM25320 provides 32,768 bits of serial electrically erasable and programmable read-only memory (EEPROM) organized as 4,096 words of 8 bits each, with 128-bit UID and 32-byte Security Sector. The device is accessed through the SPI bus, and is optimized for use in many industrial and commercial applications where low-power and low-voltage operations are essential.

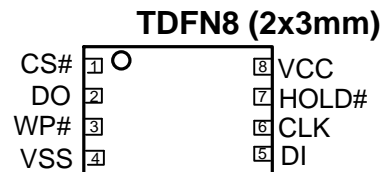
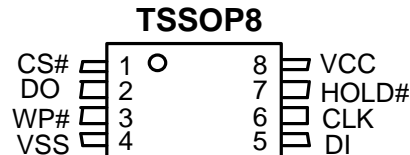
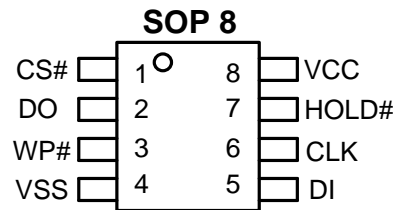
2. Features

- **Low Operation Voltage:** $V_{CC} = 1.8V$ to 5.5V
- **Serial Peripheral Interface (SPI) compatible**
- **Supports SPI Modes 0(0,0) and 3(1,1)**
- **20MHz clock rate(4.5V~5.5V) and 5MHz (1.8V)**
- **32-byte Page Mode and Byte Write operation supported**
- **Block write protection**
 - Protect 1/4, 1/2, or entire array
- **Write Protect (WP#) pin and Write Disable instructions for Hardware and software Data Protection**
- **Lockable 32-Byte Security Sector**
- **128-Bit Unique ID for each device**
- **Self-timed Write Cycle (5 ms max)**
- **Operating Temperature range:**
 - $-40^{\circ}C$ to $+85^{\circ}C$
- **High-reliability**
 - **Endurance: 1,000,000 Write Cycles**
 - **Data Retention: 40 Years**
- **PDIP8 Package (RoHS Compliant)**
- **SOP8, TSSOP8 and TDFN8 Packages (RoHS Compliant and Halogen-free)**

3. Pin Configurations

PIN NO.	PIN NAME	I/O	FUNCTION
1	CS#	I	Chip Select Input
2	DO	O	Data Output
3	WP#	I	Write Protect Input
4	VSS		Ground
5	DI	I	Data Input
6	CLK	I	Serial Clock Input
7	HOLD#	I	Hold Input
8	VCC		Power Supply

4. Packaging Type



5. Absolute Maximum Ratings

Ambient Operating Temperature	$-55^{\circ}C$ to $+125^{\circ}C$
Storage Temperature	$-65^{\circ}C$ to $+150^{\circ}C$
Voltage on Any Pin with Respect to Ground	$-0.6V$ to $+7.0V$
Maximum Operating Voltage	6.25V
DC Output Current	5.0 mA

*NOTICE: Stresses beyond those listed under "Absolute Maximum Ratings" may cause permanent damage to the device. This is a stress rating only and functional operation of the device at these or any other conditions beyond those indicated in the operational sections of this specification are not implied. Exposure to absolute maximum rating conditions for extended periods may affect device reliability.

6. Block Diagram

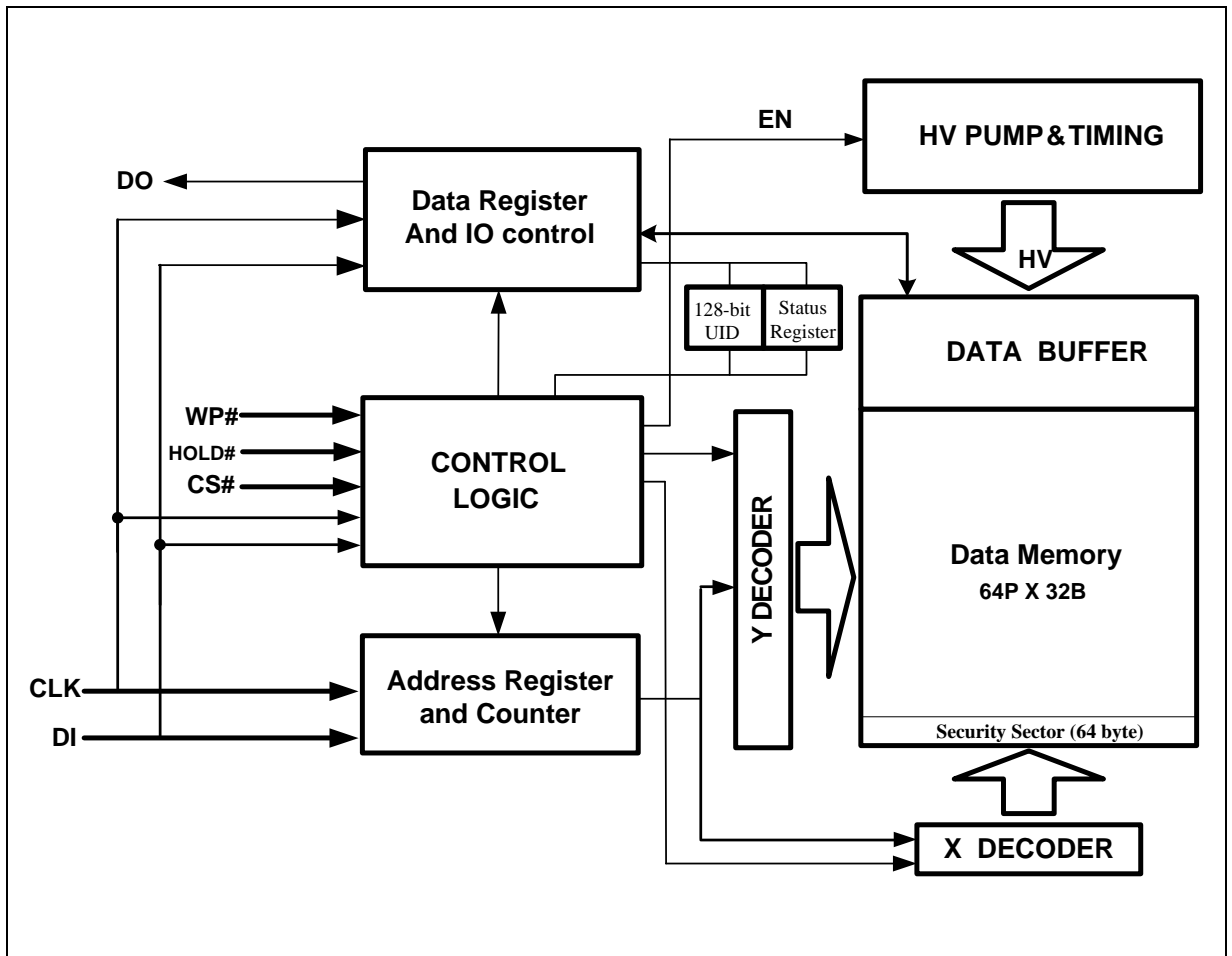


Figure 1 Block Diagram

7. Pin Descriptions

Serial Clock (CLK): The SPI Serial Clock Input (CLK) pin provides the timing for serial input and output operations.

Serial Data Input (DI): The SPI Serial data input (DI) is used to serially receive write instructions, addresses or data to the device on the rising edge of the Serial Clock (CLK) input pin.

Serial Data Output (DO): The SPI Serial data output (DO) is used to read data or status from the device on the falling edge of CLK.

Chip Select (CS#): The SPI Chip Select (CS#) pin enables and disables device operation. When CS# is high, the device is deselected and the Serial Data Output (DO) pins are at high impedance. When deselected, the devices power consumption will be at standby levels unless an internal write cycle is in progress. When CS# is brought low, the device will be selected, power consumption will increase to active levels and instructions can be written to and data read from the device. After power-up, CS# must transition from high to low before a new instruction will be accepted.

HOLD (HOLD#): The HOLD# pin allows the device to be paused while it is actively selected. When HOLD# is brought low, while CS# is low, the DO pin will be at high impedance and signals on the DI and CLK pins will be ignored (don't care). When HOLD# is brought high, device operation can resume. The HOLD# function can be useful when multiple devices are sharing the same SPI signals. The HOLD# pin is active low.

Write Protect (WP#): The Write Protect (WP#) pin is used in conjunction with the Status Register Write Disable (SRWD) Bit to prevent the Status Registers from being written. Write Protect (WP#) pin and Status Register Write Disable (SRWD) Bit enable the device to be put in the Hardware Protected mode (when Status Register Write Disable (SRWD) Bit is set to 1, and Write Protect (WP#) pin is driven low).

8. Memory Organization

Table 1 Memory Organization

Instruction	Page ADDR	Byte Number		
		31	...	0
0xh	0	Data Memory (128P X 32B)		
	1			
	2			
	...			
	127			
8xh	xxxx x00x xxxx xxxx ¹	Security Sector (32 Bytes)		
	xxxx xx1x xxxx xxxx ²	Unique ID (128 Bits)		

Note:

1. Address bits A10A9 must be 00, A4~A0 define byte address, other bits are don't care
2. Address bits A9 must be 1, A3~A0 define byte address, other bits are don't care

9. Device Operations

9.1. Standard SPI

The FM25320 is accessed through an SPI compatible bus consisting of four signals: Serial Clock (CLK), Chip Select (CS#), Serial Data Input (DI) and Serial Data Output (DO). Standard SPI instructions use the DI input pin to serially write instructions, addresses or data to the device on the rising edge of CLK. The DO output pin is used to read data or status from the device on the falling edge of CLK.

SPI bus operation Mode 0 (0,0) and 3 (1,1) are supported. The primary difference between Mode 0 and Mode 3 concerns the normal state of the CLK signal when the SPI bus master is in standby and data is not being transferred to the Serial Flash. For Mode 0, the CLK signal is normally low on the falling and rising edges of CS#. For Mode 3, the CLK signal is normally high on the falling and rising edges of CS#.

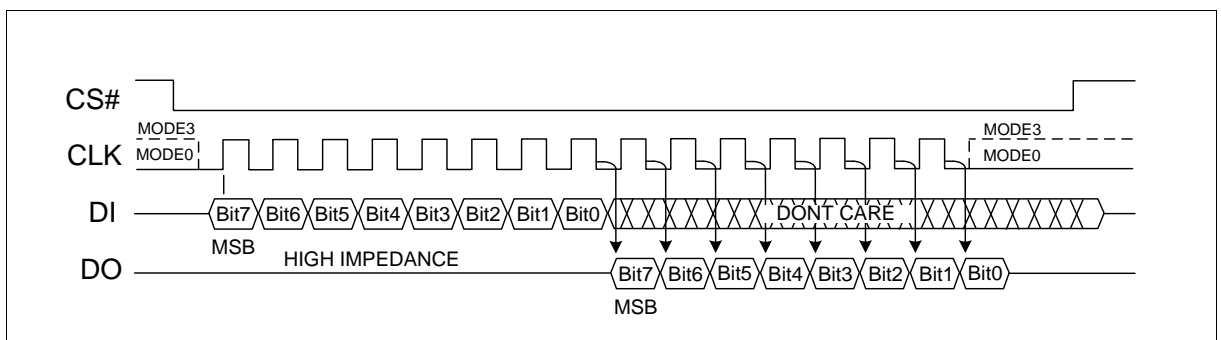


Figure 2 The difference between Mode 0 and Mode 3

9.2. Hold

For Standard SPI, the HOLD# signal allows the FM25320 operation to be paused while it is actively selected (when CS# is low). The HOLD# function may be useful in cases where the SPI data and clock signals are shared with other devices. For example, consider if the page buffer was only partially written when a priority interrupt requires use of the SPI bus. In this case the HOLD# function can save the state of the instruction and the data in the buffer so programming can resume where it left off once the bus is available again.

To initiate a HOLD# condition, the device must be selected with CS# low. A HOLD# condition will activate on the falling edge of the HOLD# signal if the CLK signal is already low. If the CLK is not already low the HOLD# condition will activate after the next falling edge of CLK. The HOLD# condition will terminate on the rising edge of the HOLD# signal if the CLK signal is already low. If the CLK is not already low the HOLD# condition will terminate after the next falling edge of CLK. During a HOLD# condition, the Serial Data Output (DO) is high impedance, and Serial Data Input (DI) and Serial Clock (CLK) are ignored. The Chip Select (CS#) signal should be kept active (low) for the full duration of the HOLD# operation to avoid resetting the internal logic state of the device.

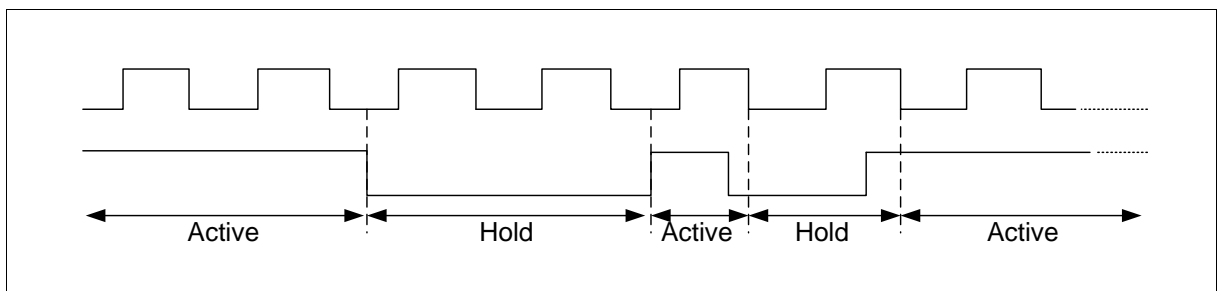


Figure 3 Hold Condition Waveform

10. Write Protection

Applications that use non-volatile memory must take into consideration the possibility of noise and other adverse system conditions that may compromise data integrity. To address this concern, the FM25320 provides several means to protect the data from inadvertent writes.

Write Protect Features

- Write enable/disable instructions and automatic write disable after write
- Checking whether the number of clock pulses comprised in the instruction is a multiple of eight, before executing a write operation
- Software and Hardware (WP# pin) write protection using Status Register

After power-up the device is automatically placed in a write-disabled state with the Status Register Write Enable Latch (WEL) set to a 0. A Write Enable instruction must be issued before a Write or Write Status Register instruction will be accepted. After completing a write instruction the Write Enable Latch (WEL) is automatically cleared to a write-disabled state of 0.

Software controlled write protection is facilitated using the Write Status Register instruction and setting the Block Protect (BP1 and BP0) bits. These settings allow top quarter (1/4), top half (1/2), or the entire memory array to be configured as read only. Used in conjunction with the Write Protect (WP#) pin, changes to the Status Register can be enabled or disabled under hardware control. See Status Register section for further information.

11. Status Register

The Read Status Register instruction can be used to provide status on the availability of the memory array, if the device is write enabled or disabled, the state of write protection. The Write Status Register instruction can be used to configure the device write protection features. Write access to the Status Register is controlled by the state of the non-volatile Status Register Write Disable bit (SRWD), the Write Enable instruction, and the WP# pin.

Factory default for all Status Register bits are 0.

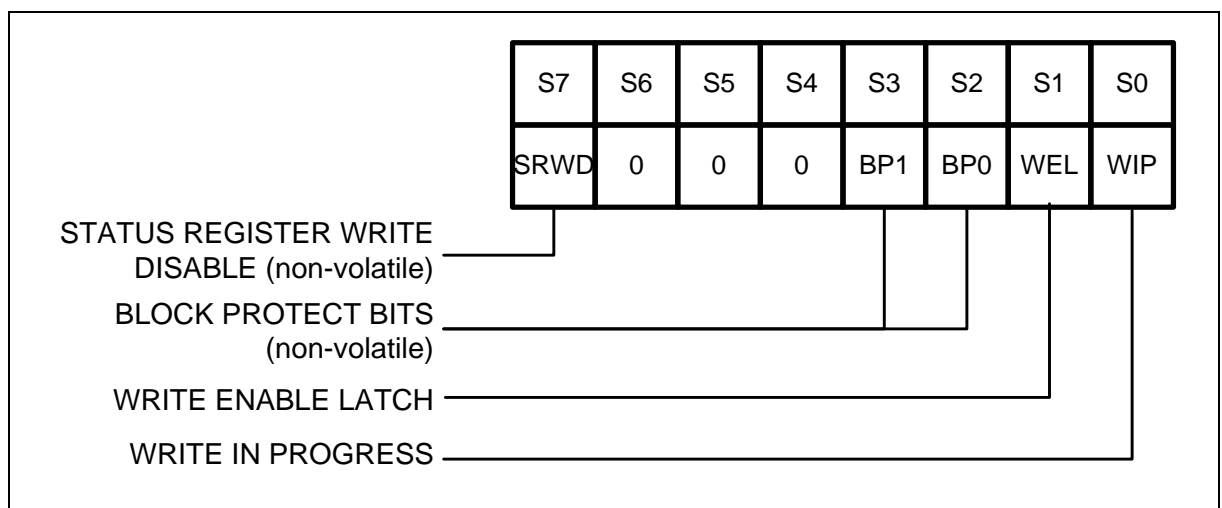


Figure 4 Status Register

11.1. WIP Bit

WIP is a read only bit in the status register (S0) that is set to a 1 state when the device is executing a Write, Write Status Register instruction, Write Security Sector or Lock Security Sector. During this time the device will ignore further instructions except for the Read Status Register (see t_w in “13.4 AC Characteristics”). When the write, write status register, write Security Sector or lock Security Sector instruction has completed, the WIP bit will be cleared to a 0 state indicating the device is ready for further instructions.

11.2. Write Enable Latch bit (WEL)

Write Enable Latch (WEL) is a read only bit in the status register (S1) that is set to 1 after executing a Write Enable Instruction. The WEL status bit is cleared to 0 when the device is write disabled. A write disable state occurs upon power-up or after any of the following instructions: Write Disable, Write, Write Status Register, Write Security Sector, Lock Security Sector .

11.3. Block Protect Bits (BP1, BP0)

The Block Protect Bits (BP1, BP0) are non-volatile read/write bits in the status register (S3, and S2) that provide Write Protection control and status. Block Protect bits can be set using the Write Status Register Instruction (see t_w in “13.4 AC Characteristics”). Top quarter (1/4), top half (1/2), or the entire memory array can be protected from write instructions (see Table 2 Status Register Memory Protection). The factory default setting for the Block Protection Bits is 0, none of the array protected.

11.4. Status Register Write Disable bit (SRWD)

The Status Register Write Disable(SRWD) bit is operated in conjunction with the Write Protect (WP#) signal. The Status Register Write Disable(SRWD) bit and Write Protect (WP#) signal allow the device to be put in the Hardware Protected mode (when the Status Write Disable(SRWD) bit is set to 1, and Write Protect (WP#) is driven Low). In this mode, the non-volatile bits of the Status Register (SRWD, BP1, BP0) become read-only bits and the Write Status Register (WRSR) instruction is no longer accepted for execution.

11.5. Status Register Memory Protection

Table 2 Status Register Memory Protection

level	Status Register Bits		Array Addresses Protected
	BP1	BP0	FM25320
0	0	0	None
1(1/4)	0	1	C00H – FFFH
2(1/2)	1	0	800H – FFFH
3(All)	1	1	000H – FFFH

12. Instructions

The Standard SPI instruction set of the FM25320 consists of 11 basic instructions that are fully controlled through the SPI bus (see Table 3 Standard SPI Instructions Set). Instructions are initiated with the falling edge of Chip Select (CS#). The first byte of data clocked into the DI input provides the instruction code. Data on the DI input is sampled on the rising edge of clock with most significant bit (MSB) first.

Instructions vary in length from a single byte to several bytes and may be followed by address bytes, data bytes, and in some cases, a combination. Instructions are completed with the rising edge of edge CS#. Clock relative timing diagrams for each instruction are included in Figure 5 through Figure 15. All read instructions can be completed after any clocked bit. However, all instructions that Write must complete on a byte boundary (CS# driven high after a full 8-bits have been clocked) otherwise the instruction will be ignored. This feature further protects the device from inadvertent writes. Additionally, while the memory is being written, or when the Status Register is being written, all instructions except for Read Status Register will be ignored until the write cycle has completed.

12.1. Standard SPI Instructions Set

Table 3 Standard SPI Instructions Set

Instruction Name	Instruction Format	Operation
WREN	0000 0110	Set Write Enable Latch
WRDI	0000 0100	Reset Write Enable Latch
RDSR	0000 0101	Read Status Register
WRSR	0000 0001	Write Status Register
READ	0000 0011	Read Data from Memory Array
WRITE	0000 0010	Write Data to Memory Array
Read Security Sector	1000 0011 ⁽¹⁾	Read Security Sector
Write Security Sector	1000 0010 ⁽¹⁾	Write Security Sector
Lock Security Sector	1000 0010 ⁽²⁾	Lock the Security Sector in Read-Only mode
Read Lock Status	1000 0011 ⁽²⁾	Read the lock status of the Security Sector
Read UID Number	1000 0011 ⁽³⁾	Read Unique ID Number

Note:

1. Address bits A10A9 must be 00'b, A4~A0 define byte address, all other bits are don't care
2. Address bits A10A9 must be 10'b, all other bits are don't care
3. Address bits A9 must be 1'b, A3~A0 define byte address, all other bits are don't care

12.2. Write Enable (WREN)

The Write Enable (WREN) instruction (Figure 5) sets the Write Enable Latch (WEL) bit in the Status Register to a 1. The WEL bit must be set prior to every Write and Write Status Register instruction. The Write Enable (WREN) instruction is entered by driving CS# low, shifting the instruction code “06h” into the Data Input (DI) pin on the rising edge of CLK, and then driving CS# high.

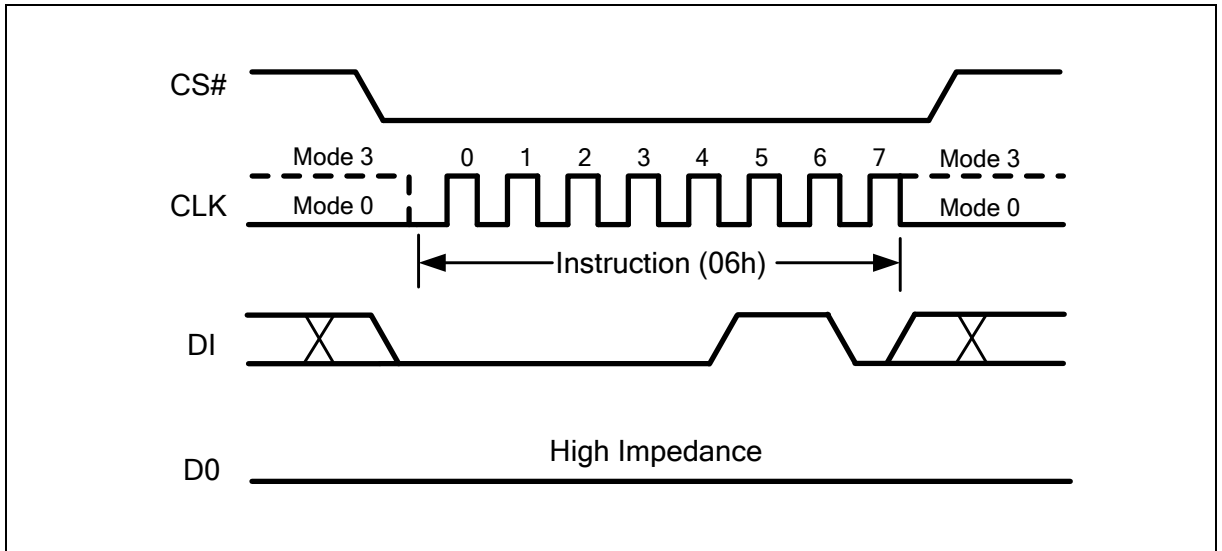


Figure 5 Write Enable Instruction

12.3. Write Disable (WRDI) (04h)

The Write Disable (WRDI) instruction (Figure 6) resets the Write Enable Latch (WEL) bit in the Status Register to a 0. The Write Disable (WRDI) instruction is entered by driving CS# low, shifting the instruction code “04h” into the DI pin and then driving CS# high. Note that the WEL bit is automatically reset after Power-up and upon completion of the Write Status Register, Write instructions.

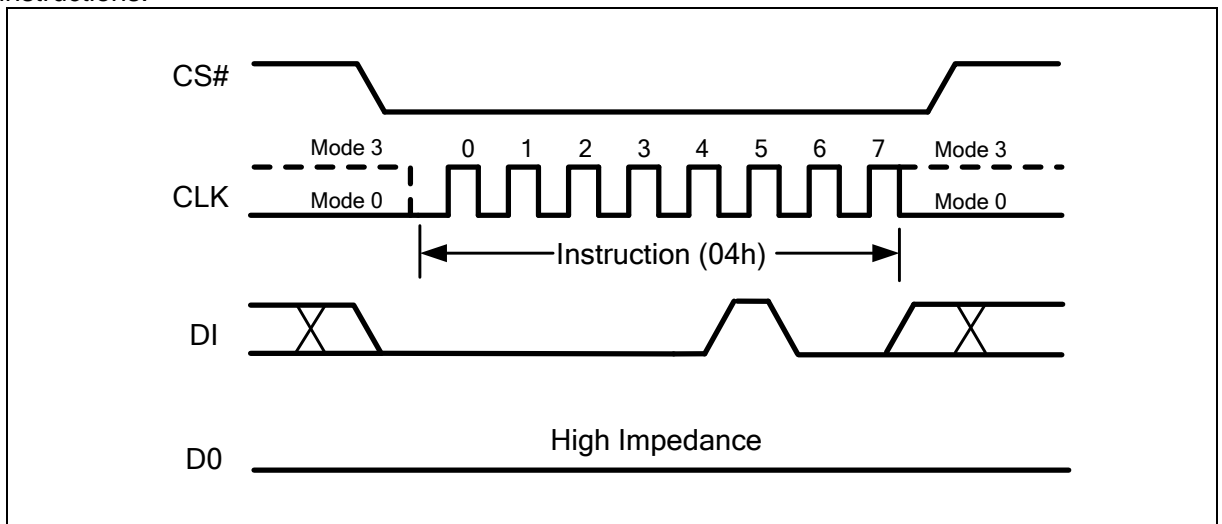


Figure 6 Write Disable Instruction

12.4. Read Status Register (RDSR) (05h)

The Read Status Register instructions allow the 8-bit Status Registers to be read. The instruction is entered by driving CS# low and shifting the instruction code “05h” into the DI pin on the rising edge of CLK. The status register bits are then shifted out on the DO pin at the falling edge of CLK with most significant bit (MSB) first as shown in Figure 7. The Status Register bits are shown in Figure 4 and include the WIP, WEL, BP1-BP0 and SRWD bits.

The Read Status Register instruction may be used at any time, even while a Write or Write Status Register cycle is in progress. This allows the WIP status bit to be checked to determine when the cycle is complete and if the device can accept another instruction. The Status Register can be read continuously. The instruction is completed by driving CS# high.

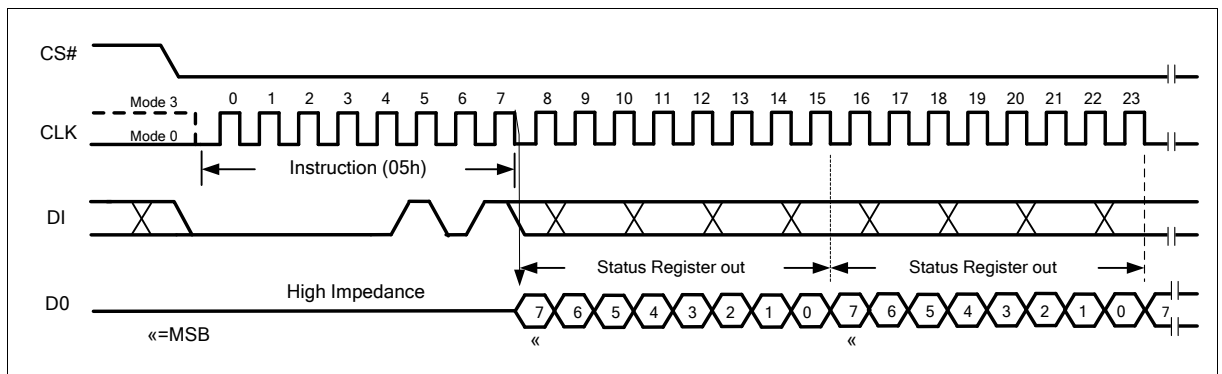


Figure 7 Read Status Register Instruction

12.5. Write Status Register (WRSR) (01h)

The Write Status Register (WRSR) instruction allows the Status Register to be written. Only non-volatile Status Register bits SRWD, BP1, BP0 can be written to. All other Status Register bit locations are read-only and will not be affected by the Write Status Register (WRSR) instruction. The Status Register bits are shown in Figure 4, and described in 11 Status Register.

To write non-volatile Status Register bits, a standard Write Enable (06h) instruction must previously have been executed for the device to accept the Write Status Register (WRSR) instruction (Status Register bit WEL must equal 1). Once write enabled, the instruction is entered by driving CS# low, sending the instruction code “01h”, and then writing the status register data byte as illustrated in Figure 8.

To complete the Write Status Register (WRSR) instruction, the CS# pin must be driven high after the eighth bit of data that is clocked in. If this is not done the Write Status Register (WRSR) instruction will not be executed.

During non-volatile Status Register write operation (06h combined with 01h), after CS# is driven high, the self-timed Write Status Register cycle will commence for a time duration of t_w (See “13.4 AC Characteristics”). While the Write Status Register cycle is in progress, the Read Status Register instruction may still be accessed to check the status of the WIP bit. The WIP bit is a 1 during the Write Status Register cycle and a 0 when the cycle is finished and ready to accept other instructions again. After the Write Status Register cycle has finished, the Write Enable Latch (WEL) bit in the Status Register will be cleared to 0.

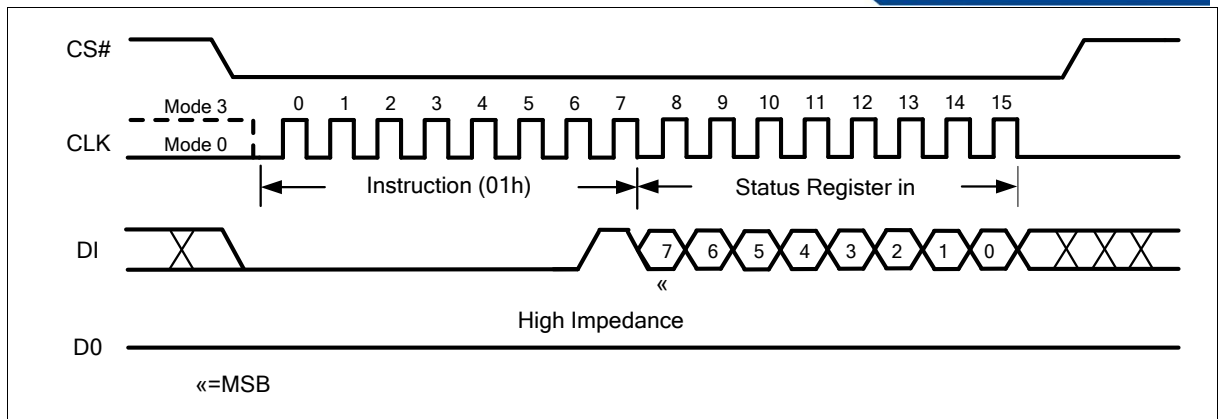


Figure 8 Write Status Register Instruction

12.6. Read from Memory Array (03h)

The Read instruction allows one or more data bytes to be sequentially read from the memory. The instruction is initiated by driving the CS# pin low and then shifting the instruction code “03h” followed by a 16-bit address into the DI pin, in which A15-A12 is don't care only A11-A0 is effective. The code and address bits are latched on the rising edge of the CLK pin. After the address is received, the data byte of the addressed memory location will be shifted out on the DO pin at the falling edge of CLK with most significant bit (MSB) first. The address is automatically incremented to the next higher address after each byte of data is shifted out allowing for a continuous stream of data. This means that the entire memory can be accessed with a single instruction as long as the clock continues. The instruction is completed by driving CS# high.

The Read instruction sequence is shown in Figure 9. If a Read Data instruction is issued while an Write cycle is in process (WIP =1) the instruction is ignored and will not have any effect on the current cycle. The Read Data instruction allows clock rates from D.C. to a maximum of f_c (see “13.4 AC Characteristics”).

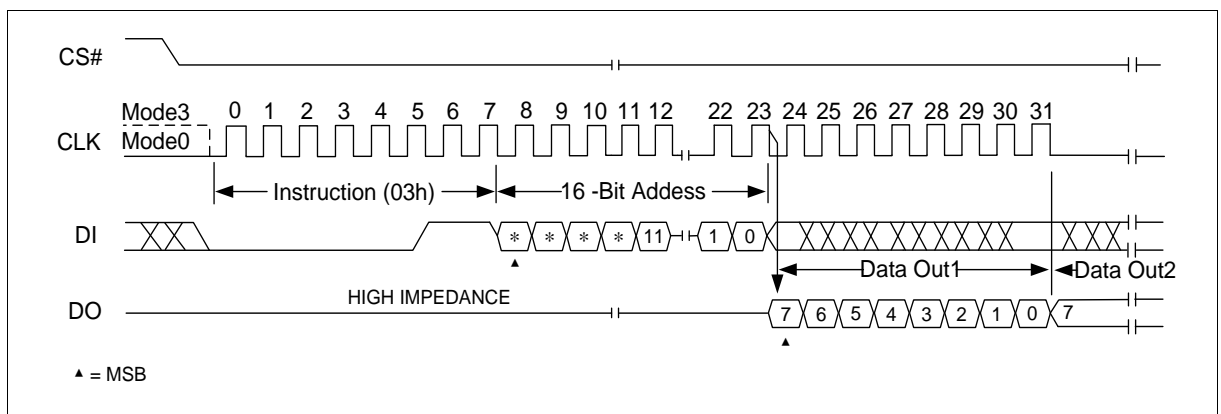


Figure 9 Read Data Instruction

12.7. Write to Memory Array (02h)

The Write instruction allows from one byte to 32 bytes (a page) of data to be written. A Write Enable instruction must be executed before the device will accept the Write Instruction (Status Register bit WEL= 1). The instruction is initiated by driving the CS# pin low then shifting the instruction code “02h” followed by a 16-bit address, in which A15-A12 is don't care only A11-A0 is effective, and at least one data byte, into the DI pin. The CS# pin must be held low for the entire length of the instruction while data is being sent to the device. The Write instruction sequence is shown in Figure 10.

If an entire 32 byte page is to be programmed, the last address byte (the 5 least significant address bits) should be set to 0. If the last address byte is not zero, and the number of clocks exceeds the remaining page length, the addressing will wrap to the beginning of the page. In some cases, less than 32 bytes (a partial page) can be programmed without having any effect on other bytes within the same page. One condition to perform a partial page program is that the number of clocks can not exceed the remaining page length. If more than 32 bytes are sent to the device the addressing will wrap to the beginning of the page and overwrite previously sent data.

The CS# pin must be driven high after the eighth bit of the last byte has been latched. If this is not done the Write instruction will not be executed. After CS# is driven high, the self-timed Write instruction will commence for a time duration of t_w (See “13.4 AC Characteristics”). While the Write cycle is in progress, the Read Status Register instruction may still be accessed for checking the status of the WIP bit. The WIP bit is a 1 during the Write cycle and becomes a 0 when the cycle is finished and the device is ready to accept other instructions again. After the Write cycle has finished the Write Enable Latch (WEL) bit in the Status Register is cleared to 0. The Write instruction will not be executed if the addressed page is protected by the Block Protect (BP1 and BP0) bits.

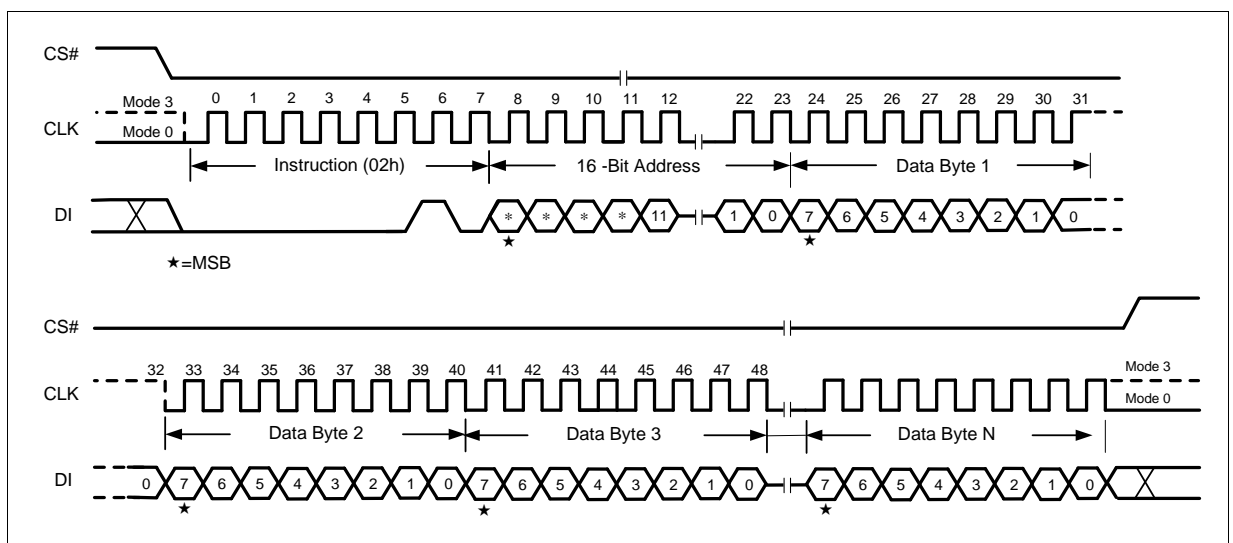


Figure 10 Page Program Instruction

12.8. Read Security Sector (83h)

The FM25320 offers 32-byte Security Sector which can be written and (later) permanently locked in Read-only mode.

The Read Security Sector instruction is similar to the Read instruction and allows one or more data bytes to be sequentially read from Security Sector. The instruction is initiated by driving the CS# pin low and then shifting the instruction code “83h” followed by a 16-bit address A15-A0 into the DI pin. Address bits A10A9 must be 00, upper address bits are don't care. The data byte pointed to by the lower address bits [A4:A0] is shifted out on DO pin. If Chip Select (CS#) continues to be driven low, the byte address is automatically incremented to the next byte address after each byte of data is shifted out. Once the byte address reaches the last byte of the register (byte 1Fh), it will be reset to 00h, the first byte of the register, and continue to increment. The instruction is completed by driving CS# high. The Read Security Sector instruction sequence is shown in Figure 11.

The instruction is not accepted, and is not executed, if a write cycle is currently in progress.

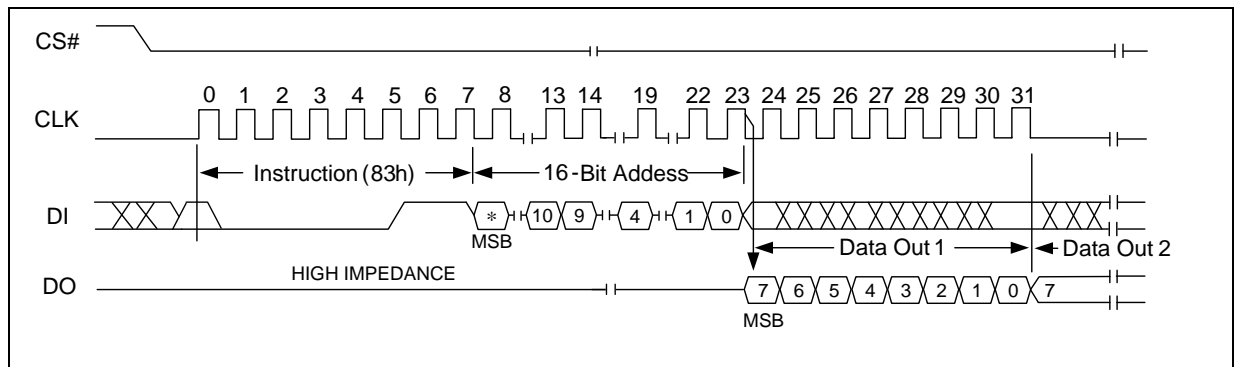


Figure 11 Read Security Sector Sequence

12.9. Write Security Sector (82h)

The Write Security Sector instruction is similar to the Write instruction. It allows from one byte to 32 bytes of Security Sector data to be written. A Write Enable instruction must be executed before the device will accept the Write Security Sector Instruction (Status Register bit WEL= 1). The instruction is initiated by driving the CS# pin low then shifting the instruction code “82h” followed by a 16-bit address A15-A0 and at least one data byte, into the DI pin. Address bit A10A9 must be 00, upper address bits are don't care, the lower address bits [A4:A0] address bits define the byte address inside the Security Sector. The CS# pin must be held low for the entire length of the instruction while data is being sent to the device.

The instruction is discarded, and is not executed if the Block Protect bits (BP1,BP0) = (1,1) or the Security Sector has been locked.

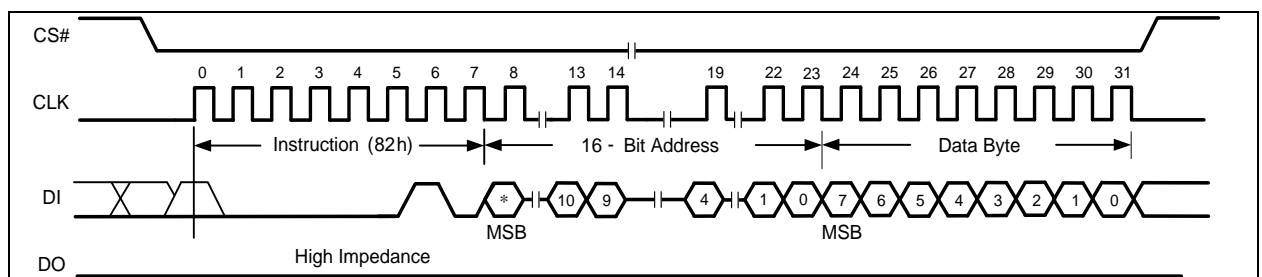


Figure 12 Write Security Sector Sequence

12.10. Lock Security Sector (82h)

The Lock Security Sector instruction permanently locks the Security Sector in Read-only mode. Before this instruction can be accepted, a Write Enable instruction must have been executed. The Lock Security Sector instruction is initiated by driving the CS# pin low, then shifting the instruction code "82h" followed by a 16-bit address A15-A0 and one data byte, into the DI pin. Address bits A10A9 must be 10, all other address bits are Don't Care. The data byte sent must be equal to the binary value xxxx xx1x, where x = Don't Care.

The CS# pin must be driven high after the rising edge of CLK that latches in the eighth bit of the data byte, and before the next rising edge of CLK. Otherwise, the Lock Security Sector instruction is not executed.

The instruction is discarded, and is not executed if the Block Protect bits (BP1,BP0) = (1,1) or the Security Sector has been locked.

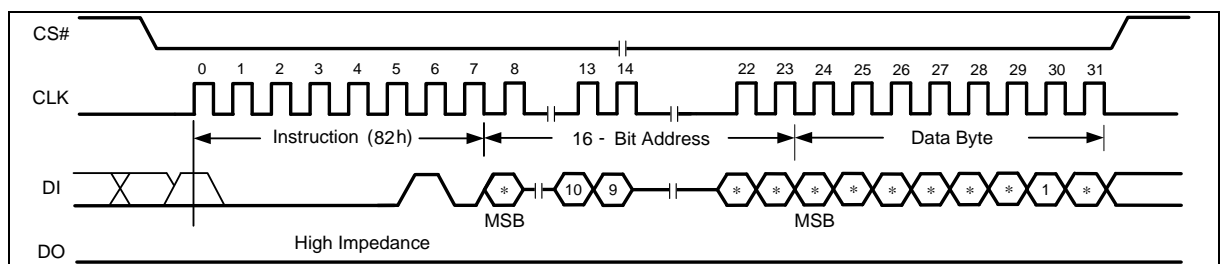


Figure 13 Lock Security Sector Sequence

12.11. Read Lock Status (83h)

The Read Lock Status instruction is used to check whether the Security Sector is locked or not in Read-only mode. The Read Lock Status instruction is initiated by driving the CS# pin low, then shifting the instruction code "83h" followed by a 16-bit address A15-A0 into the DI pin. Address bits A10A9 must be 10, all other address bits are Don't Care. The Lock bit is the BIT1 of the byte read on DO pin. It is at "1" when the lock is active and at "0" when the lock is not active. If CS# pin continues to be driven low, the same data byte is shifted out. The read cycle is terminated by driving CS# pin high.

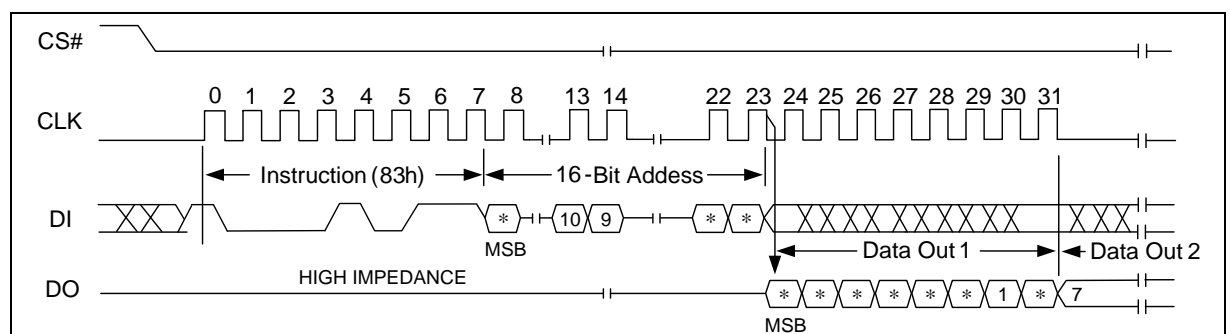


Figure 14 Read Lock Status Sequence

12.12. Read UID Number (83h)

The Read Unique ID Number instruction accesses a factory-set read-only 128-bit number that is unique to each FM25320 device. The ID number can be used in conjunction with user software methods to help prevent copying or cloning of a system. The Read Unique ID instruction is initiated by driving the CS# pin low and shifting the instruction code "83h" followed by a 16-bit address A15-A0 into the DI pin. Address bit A9 must be '1b', upper address bits are don't care, the lower address bits [A3:A0] define the byte address inside the UID. After which, the 128-bit ID is shifted out on the falling edge of CLK as shown in Figure 15. When the end of the 128-bit UID number is reached (16 bytes of data), the data word address will roll-over back to the beginning of the 128-bit UID number. The read UID cycle is terminated by driving CS# pin high.

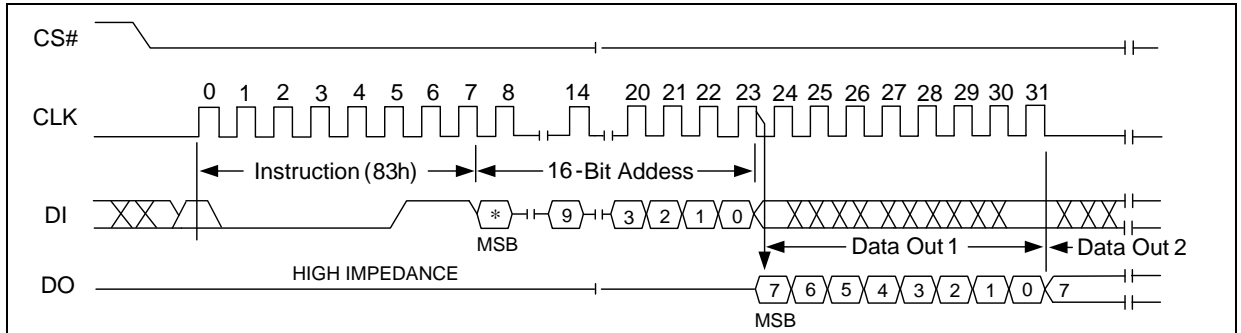


Figure 15 Read UID Number Sequence



13. Electrical Characteristics

13.1. Pin Capacitance

Table 4 Pin Capacitance

PARAMETER	SYMBOL	CONDITIONS	Max	Units
Input Capacitance	$C_{IN}^{(1)}$	$V_{IN} = 0V, f = 5 \text{ MHz}$	6	pF
Output Capacitance	$C_{OUT}^{(1)}$	$V_{OUT} = 0V, f = 5 \text{ MHz}$	8	pF

Note: 1. This parameter is characterized and is not 100% tested.

13.2. DC Electrical Characteristics

Table 5 DC Electrical Characteristics

Applicable over recommended operating range from: $T_A = -40^\circ\text{C}$ to $+85^\circ\text{C}$, $V_{CC} = +1.8V$ to $+5.5V$, (unless otherwise noted).

Symbol	Parameter	Test Condition	Min	Max	Units
V_{CC}	Supply Voltage		1.8	5.5	V
I_{CC1}	Supply Current (Read)	$V_{CC} = 5.5V$ at 20 MHz DO = Open, CLK=0.1V _{CC} /0.9V _{CC}		5.0	mA
		$V_{CC} = 1.8V$ at 5 MHz DO = Open, CLK=0.1V _{CC} /0.9V _{CC}		2.0	mA
I_{CC2}	Supply Current (Write)	$V_{CC} = 5.5V$, during tw, CS# = V _{CC}		3.0	mA
		$V_{CC} = 1.8V$, during tw, CS# = V _{CC}		2.0	mA
I_{SB1}	Standby Current	$V_{CC} = 1.8V, CS\# = V_{CC}$		1.0	μA
I_{SB2}	Standby Current	$V_{CC} = 5.0V, CS\# = V_{CC}$		5.0	μA
I_{LI}	Input Leakage Current	$V_{IN} = V_{CC}/V_{SS}$	-2.0	2.0	μA
I_{LO}	Output Leakage Current	$V_{OUT} = V_{CC}/V_{SS}$	-2.0	2.0	μA
V_{IL}^1	Input Low Level		-0.45	$V_{CC} \times 0.3$	V
V_{IH}^1	Input High Level		$V_{CC} \times 0.7$	$V_{CC} + 0.5$	V
V_{OL1}	Output Low Level 1	$V_{CC} = 3.6V, I_{OL} = 3.0 \text{ mA}$		0.4	V
V_{OH1}	Output High Level 1	$V_{CC} = 3.6V, I_{OH} = -1.6 \text{ mA}$	$V_{CC} - 0.8$		
V_{OL2}	Output Low Level 2	$V_{CC} = 1.8V, I_{OL} = 0.15 \text{ mA}$		0.2	V
V_{OH2}	Output High Level 2	$V_{CC} = 1.8V, I_{OH} = -100 \text{ uA}$	$V_{CC} - 0.2$		

Note: 1. V_{IL} min and V_{IH} max are reference only and are not tested.

13.3. AC Measurement Conditions

Table 6 AC Measurement Conditions

SYMBOL	PARAMETER	SPEC		UNIT
		MIN.	MAX.	
CL	Load Capacitance		30 or 100 ⁽¹⁾	pF
T _R , T _F	Input Rise and Fall Times		25	ns
V _{IN}	Input Pulse Voltages	0.2 V _{CC} to 0.8 V _{CC}		V
IN	Input Timing Reference Voltages	0.3 V _{CC} to 0.7 V _{CC}		V
OUT	Output Timing Reference Voltages	0.5V _{CC}		V

1. 100 pF when the clock frequency f_c is less than 10 MHz, 30 pF when the clock frequency f_c is equal to or greater than 10 MHz.

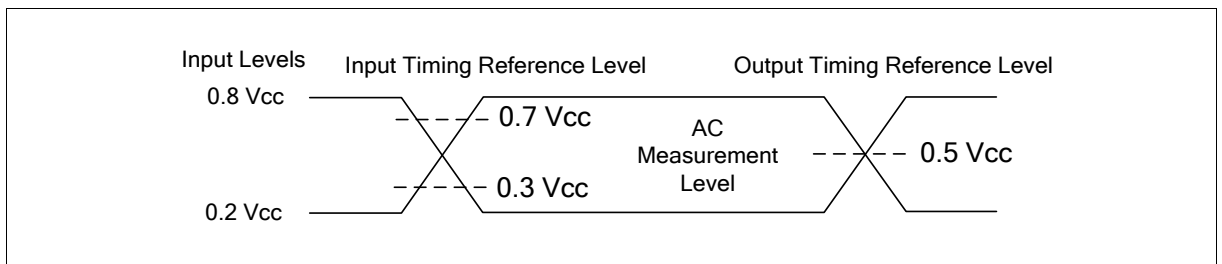


Figure 16 AC Measurement I/O Waveform

13.4. AC Characteristics

Table 7 AC Characteristics

Recommended operating conditions: T_A = -40 °C to +85 °C, V_{CC} = +1.8V to +5.5V.

SYMBOL	PARAMETER	V _{CC} ≥1.8V		V _{CC} ≥2.5V		V _{CC} ≥4.5V		UNIT
		MIN.	MAX.	MIN.	MAX.	MIN.	MAX.	
f _c	Clock frequency		5		10		20	MHz
t _{SLCH}	CS# active setup time	60		30		15		ns
t _{SHCH}	CS# not active setup time	60		30		15		ns
t _{SHSL}	CS# deselect time	90		40		20		ns
t _{CHSH}	CS# active hold time	60		30		15		ns
t _{CHSL}	CS# not active hold time	60		30		15		ns
t _{CH} ⁽¹⁾	Clock high time	80		40		20		ns
t _{CL} ⁽²⁾	Clock low time	80		40		20		ns
t _{CLCH} ⁽²⁾	Clock rise time		2		2		2	us
t _{CHCL}	Clock fall time		2		2		2	us
t _{DVCH}	Data in setup time	20		10		5		ns
t _{CHDX}	Data in hold time	20		10		10		ns
t _{HHCH}	Clock low hold time after HOLD# not active	60		30		15		ns
t _{HLCH}	Clock low hold time after HOLD# active	60		30		15		ns
t _{CLHL}	Clock low setup time before HOLD# active	0		0		0		ns
t _{CLHH}	Clock low setup time before HOLD# not active	0		0		0		ns
t _{SHQZ}	Output disable time		80		40		20	ns
t _{CLQV}	Clock low to output valid		80		40		20	ns

SYMBOL	PARAMETER	$V_{CC} \geq 1.8V$		$V_{CC} \geq 2.5V$		$V_{CC} \geq 4.5V$		UNIT
		MIN.	MAX.	MIN.	MAX.	MIN.	MAX.	
t_{CLQX}	Output hold time	0		0		0		ns
t_{QLQH}	Output rise time		20		20		10	ns
t_{QHQL}	Output fall time		20		20		10	ns
t_{HHQV}	HOLD# high to output valid		80		40		20	ns
t_{HLQZ}	HOLD# low to output High-Z		80		40		20	ns
t_w	Write time		5		5		5	ms

Notes:

- $t_{CH} + t_{CL} \geq 1/f_C$;
- This parameter is characterized and is not 100% tested.

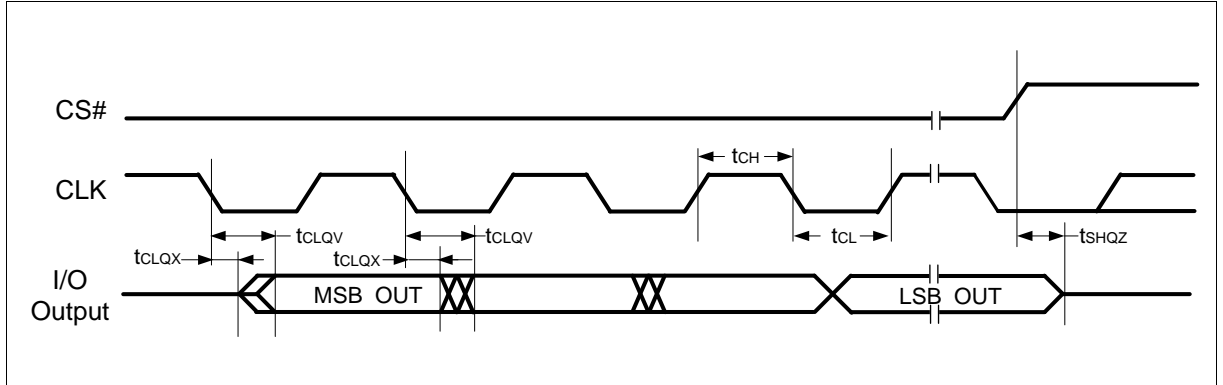


Figure 17 Serial Output Timing

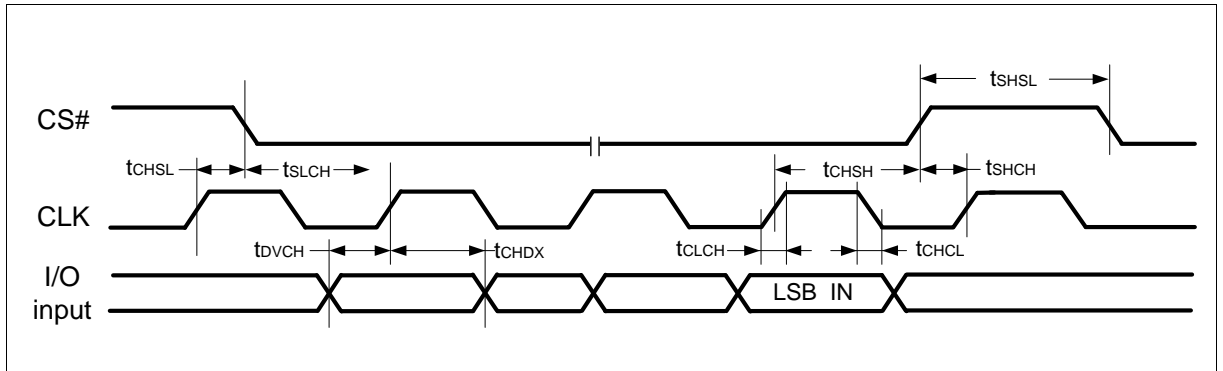


Figure 18 Serial Input Timing

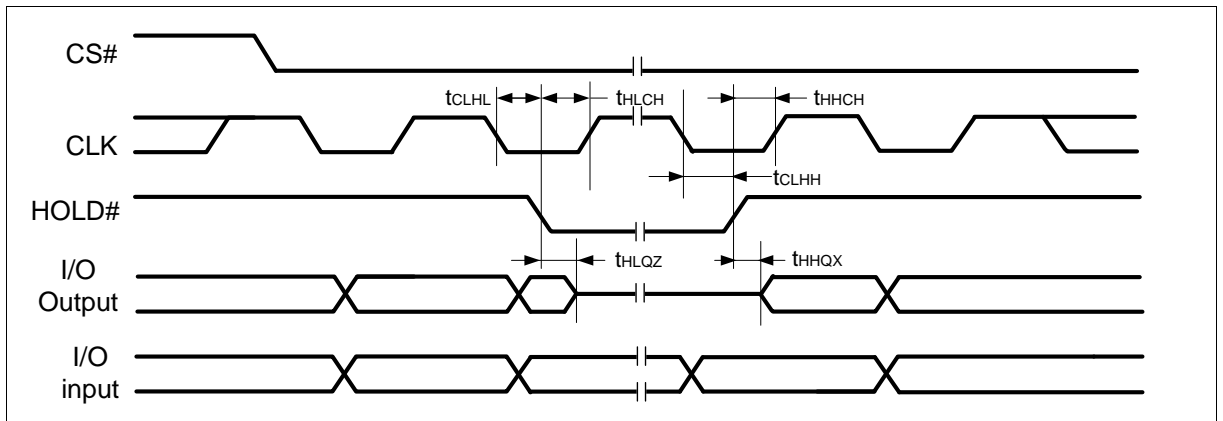


Figure 19 Hold Timing

13.5. Power-up Timing

Figure 20. VCC Ramp Up and Ramp Down

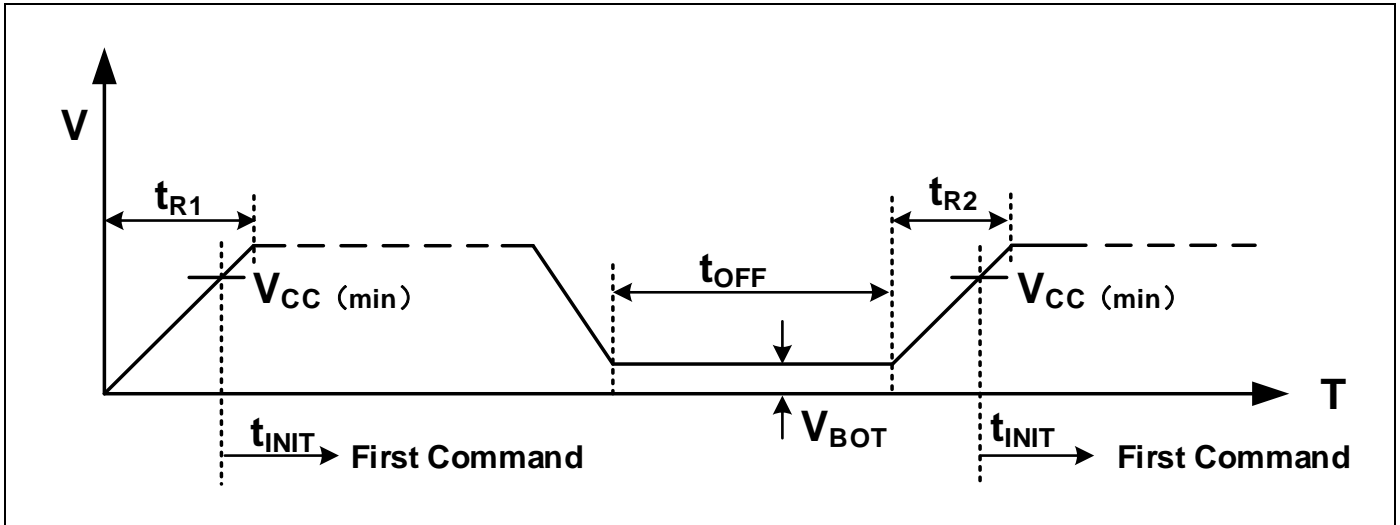


Table 8 Power-up Timing Characteristics

Symbol	Parameter	Test Condition	Min	Max	Units
t_{R1}	Power on time from 0V			20	ms
t_{R2}	Power on time from V_{BOT}	$V_{BOT} \leq 0.2V$		5	ms
t_{OFF}	power cycle off time		50		ms
t_{INIT}	Time from power on to first command		100		us
V_{BOT}	Power Off threshold for the next power on cycle	No ringback above V_{POFF}		0.2	V

Note: VCC must rise monotonically without ringback.



14. Ordering Information

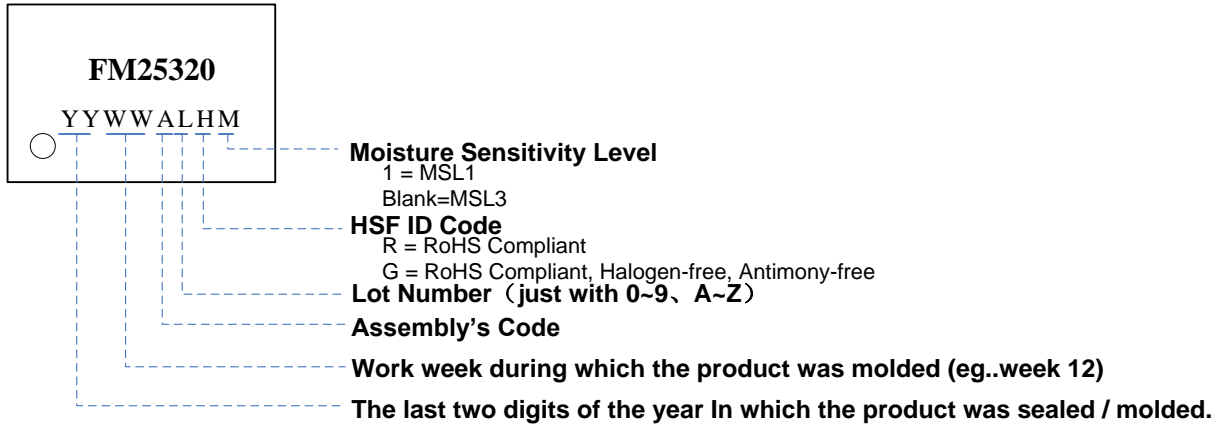
	FM	25	320	-PP	-C	-H	-M
Company Prefix							
FM = Shanghai Fudan Microelectronics Group Co.,Ltd							
Product Family							
25 = SPI Serial EEPROM							
Product Density							
320 = 32K-Bit							
Package Type ⁽¹⁾							
SO = 8-pin SOP TS = 8-pin TSSOP DN = 8-pin TDFN (2x3mm) ⁽²⁾							
Product Carrier							
U = Tube T = Tape and Reel							
HSF ID Code ⁽³⁾							
Blank or R = RoHS Compliant G = RoHS Compliant ,Halogen -free, Antimony -free							
MSL Code							
1 = MSL1 3 = MSL3							

Note:

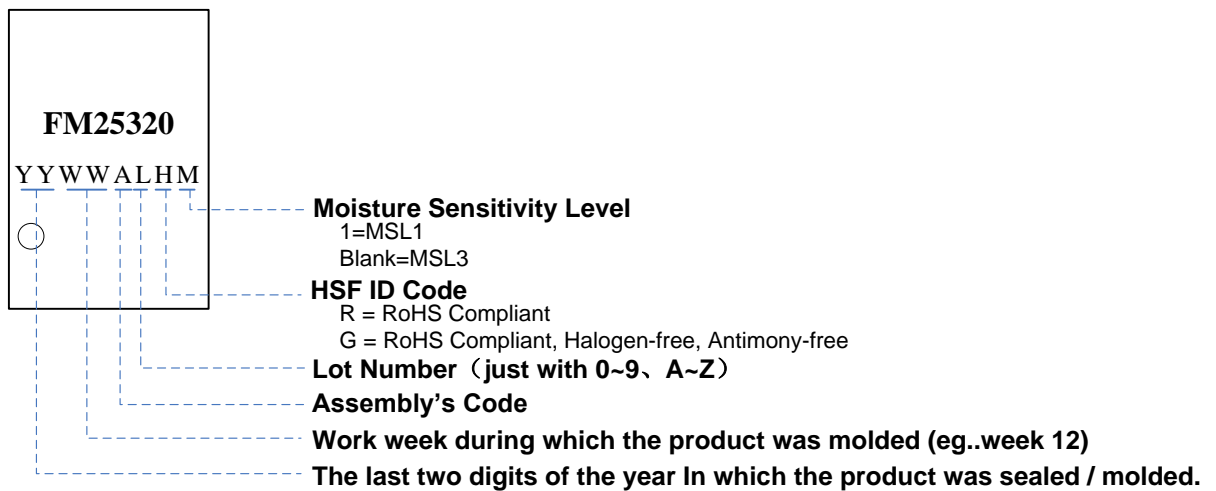
1. For SO, TS, DN package, MSL1 package are available, for detail please contact local sales office.
2. For Thinner package please contact local sales office.
3. For PD package, R class only.
For SO, TS and DN package: G class only.

15. Part Marking Scheme

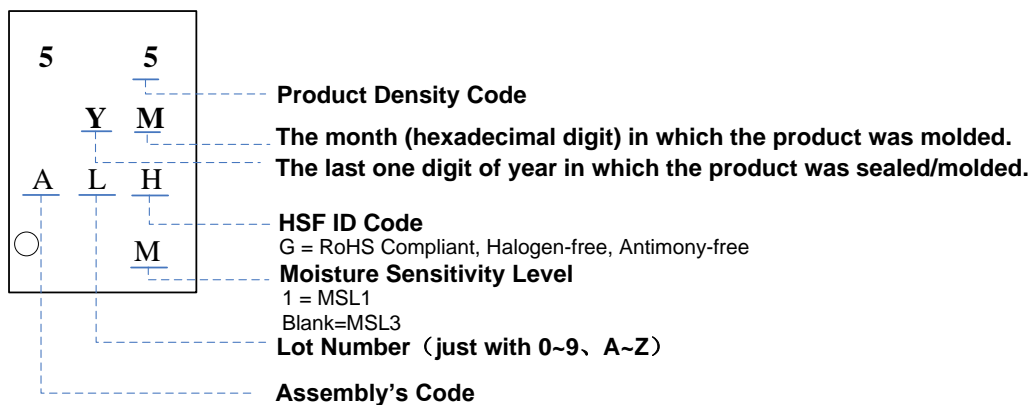
15.1. SOP8



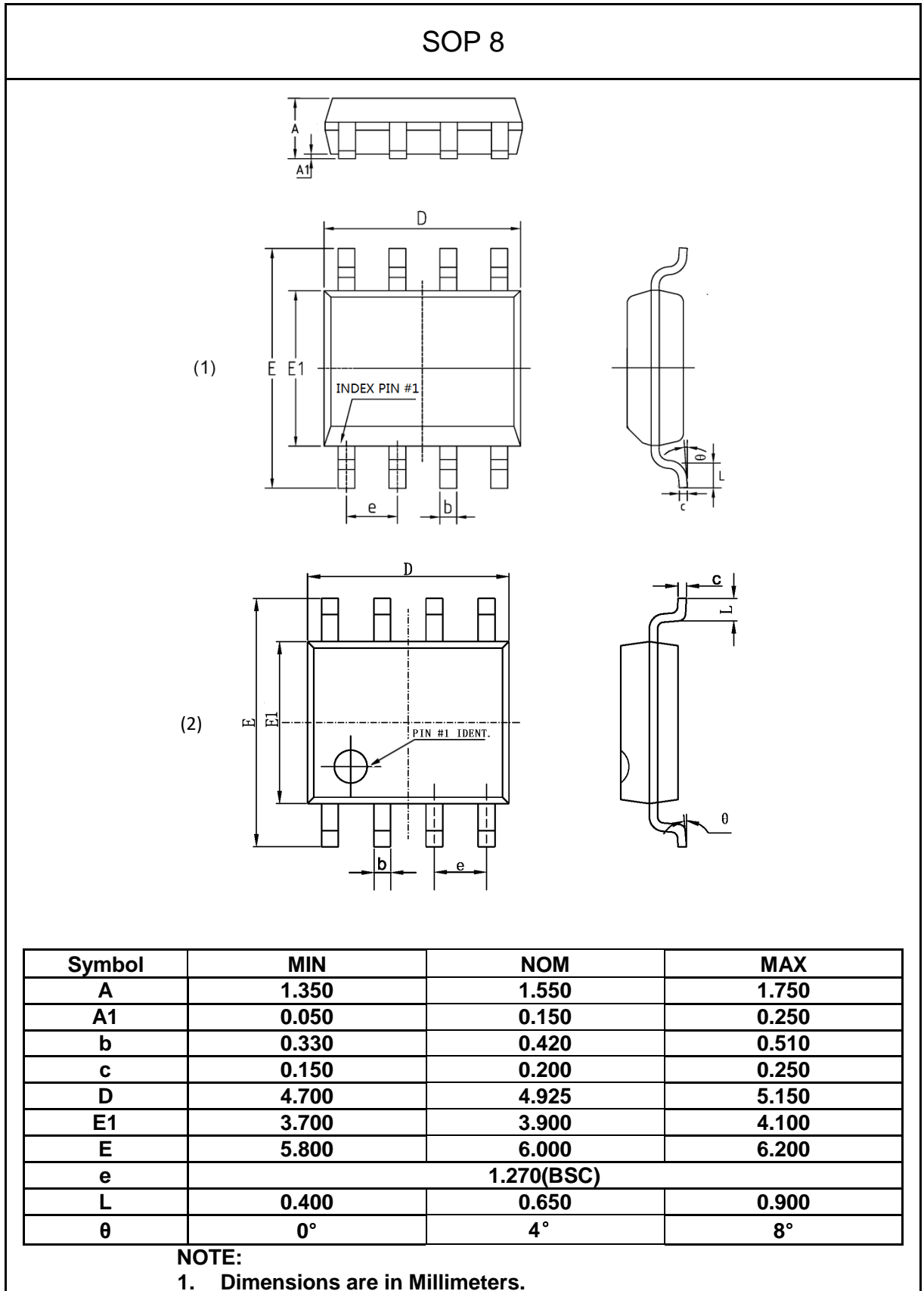
15.2. TSSOP8



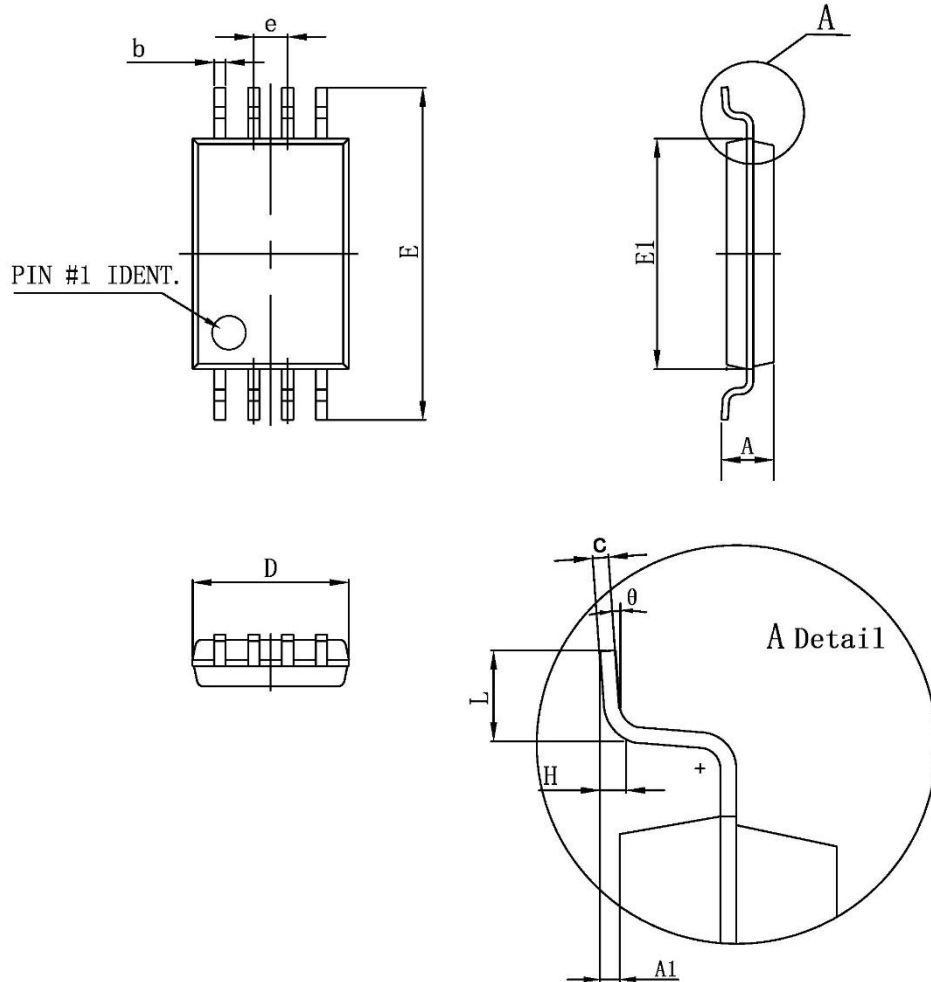
15.3. TDFN8 (2x3mm)



16. Packaging Information



TSSOP8

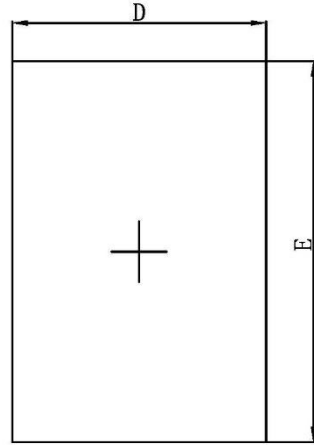


Symbol	MIN	NOM	MAX
D	2.900	3.000	3.100
E1	4.300	4.400	4.500
b	0.190	0.245	0.300
c	0.090	0.145	0.200
E	6.200	6.400	6.600
A	-	-	1.200
A1	0.050	0.100	0.150
e	0.650 (BSC)		
L	0.450	0.600	0.750
θ	0°	4°	8°

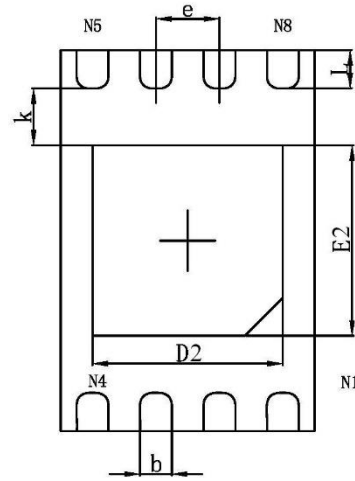
NOTE:

1. Dimensions are in Millimeters.

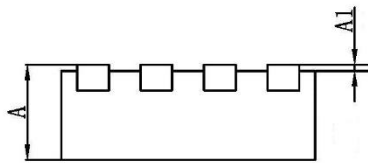
TDFN8 (2x3mm)



Top View



Bottom View



Side View

Symbol	MIN	NOM	MAX
A	0.700	0.750	0.800
A1	0.000	0.025	0.050
D	1.900	2.000	2.100
E	2.900	3.000	3.100
D2	1.400	1.500	1.600
E2	1.400	1.550	1.700
k	0.150(MIN)		
b	0.180	0.240	0.300
e	0.500(TYP)		
L	0.200	0.350	0.500

NOTE:

1. Dimensions are in Millimeters.



17. Revision History

Version	Publication date	Pages	Revise Description
1.0	Nov. 2014	27	Initial document Release.
1.1	Dec. 2014	27	Updated the chapters of packaging type, Ordering information, Part marking scheme and packaging information.
1.2	Mar. 2016	27	1. Changed the MIN of Vcc to 1.8V 2. Updated the chapters of Part marking scheme and packaging information.
1.3	Oct.2024	27	1. Updated 'Absolute Maximum Ratings'. 2. Added Power-up Timing 3. Updated the Packaging Information. 4. Updated the Packaging Type 5. Updated the Part Marking Scheme



18. Sales and Service

Shanghai Fudan Microelectronics Group Co., Ltd.

Address: Bldg No. 4, 127 Guotai Rd, Shanghai City
China.

Postcode: 200433

Tel: (86-021) 6565 5050 Fax: (86-021) 6565 9115

Shanghai Fudan Microelectronics (HK) Co., Ltd.

Address: Unit 506, 5/F., East Ocean Centre, 98
Granville Road, Tsimshatsui East, Kowloon, Hong
Kong

Tel: (852) 2116 3288 2116 3338

Fax: (852) 2116 0882

Beijing Office

Address: Room 423, Bldg B, Gehua Building, 1
QingLong Hutong, Dongzhimen Alley north Street,
Dongcheng District, Beijing City, China.

Postcode: 100007

Tel: (86-010) 8418 6608

Fax: (86-010) 8418 6211

Shenzhen Office

Address: Room.2306-2308, Building A7, Chuangzhi
Cloud City, Liuxian Avenue, Xili Street, Nanshan
District, Shenzhen, China.

Postcode: 518000

Tel: (86-0755) 8335 0911 8335 1011 8335 2011
8335 0611

Fax: (86-0755) 8335 9011

Shanghai Fudan Microelectronics (HK) Ltd Taiwan Representative Office

Address: Unit 1225, 12F., No 252, Sec.1 Neihu Rd.,
Neihu Dist., Taipei City 114, Taiwan

Tel : (886-2) 7721 1889

Fax: (886-2) 7722 3888

Shanghai Fudan Microelectronics (HK) Ltd Singapore Representative Office

Address : 47 Kallang Pudding Road, #08-06, The
Crescent @ Kallang ,Singapore 349318

Tel : (65) 6443 0860

Fax: (65) 6443 1215

Fudan Microelectronics (USA) Inc.

Address : 97 E Brokaw Road, Suite 320, San Jose, CA
95112

Tel : (+1)408-335-6936

Web Site: <http://www.fmsh.com/>